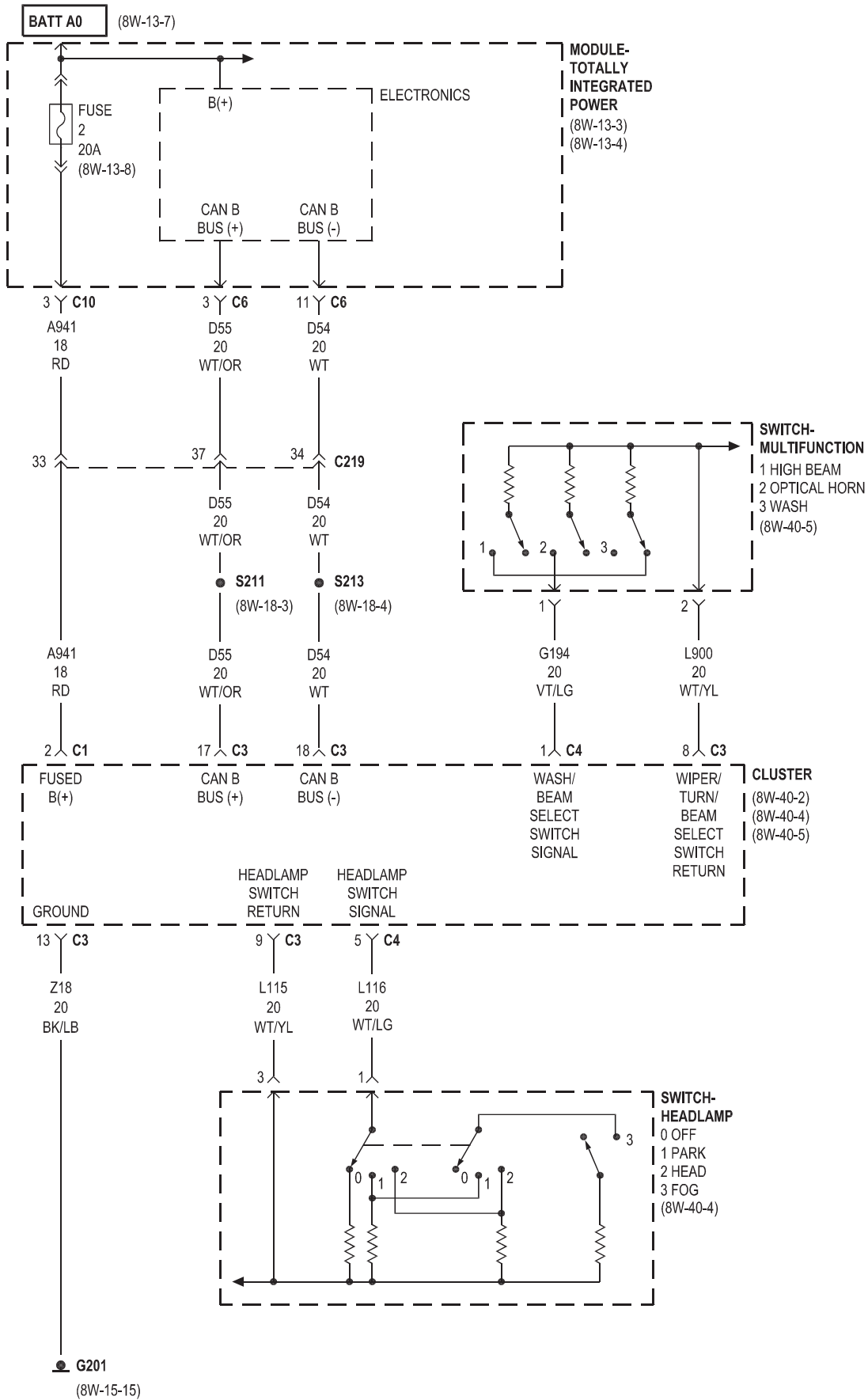
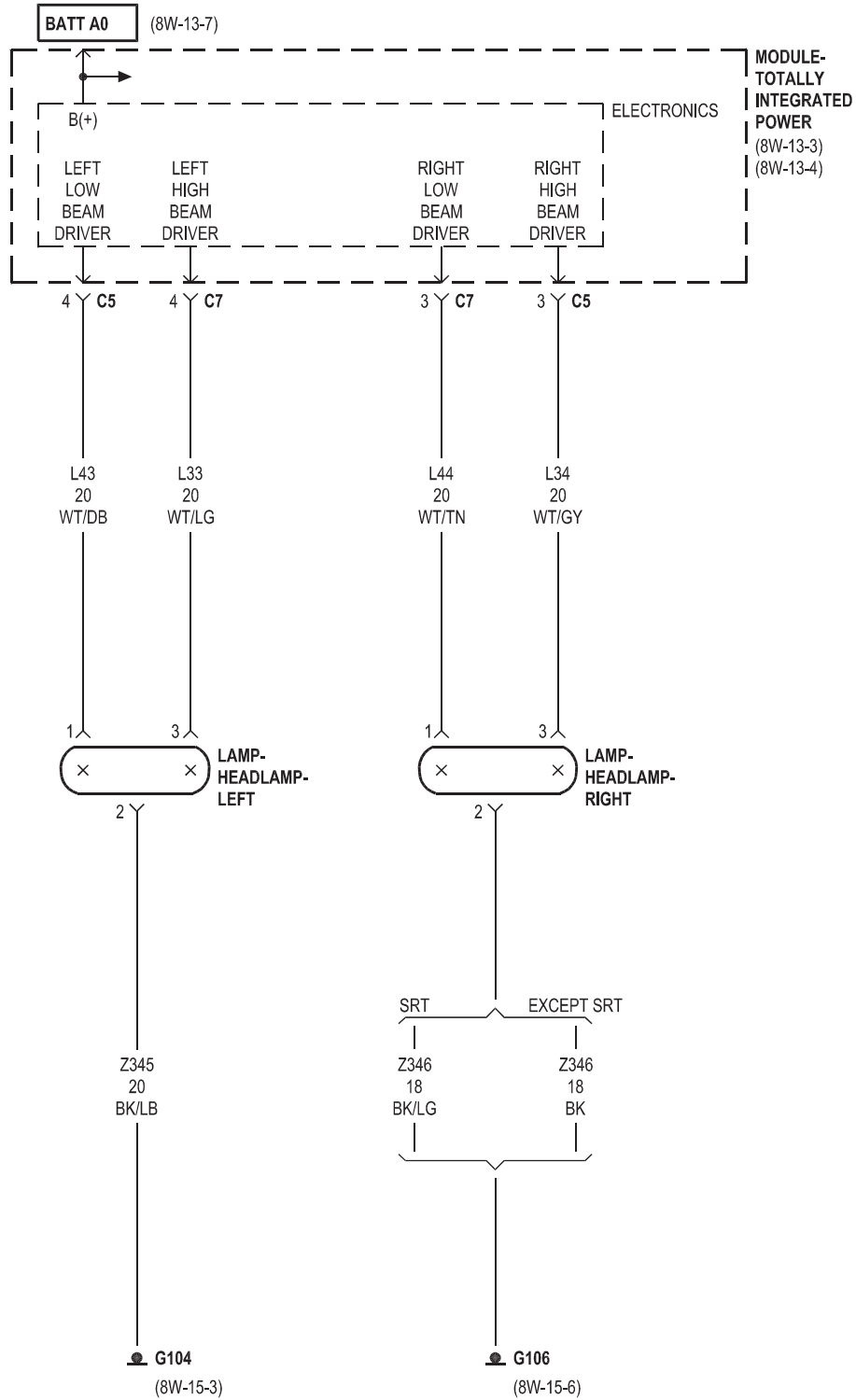
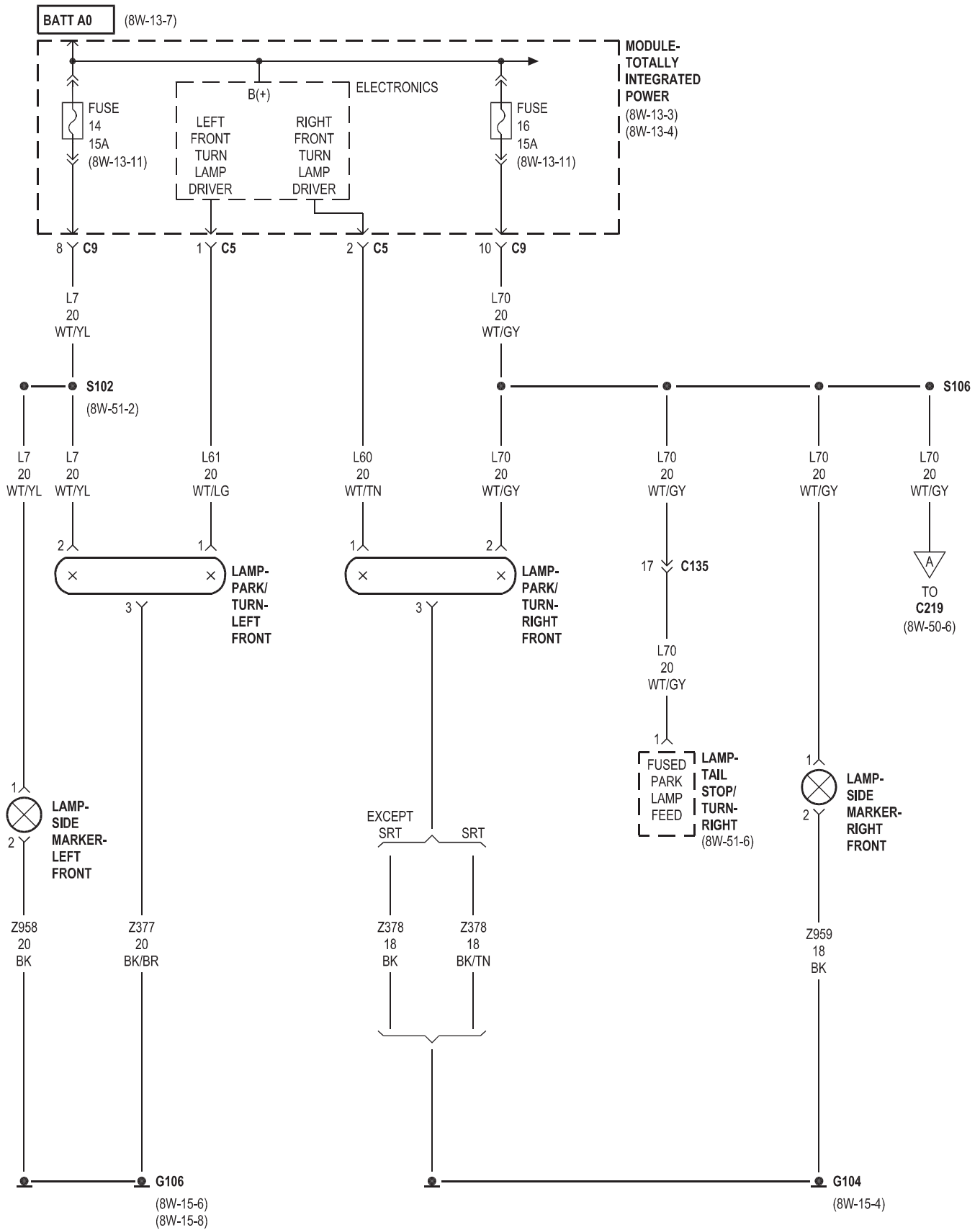


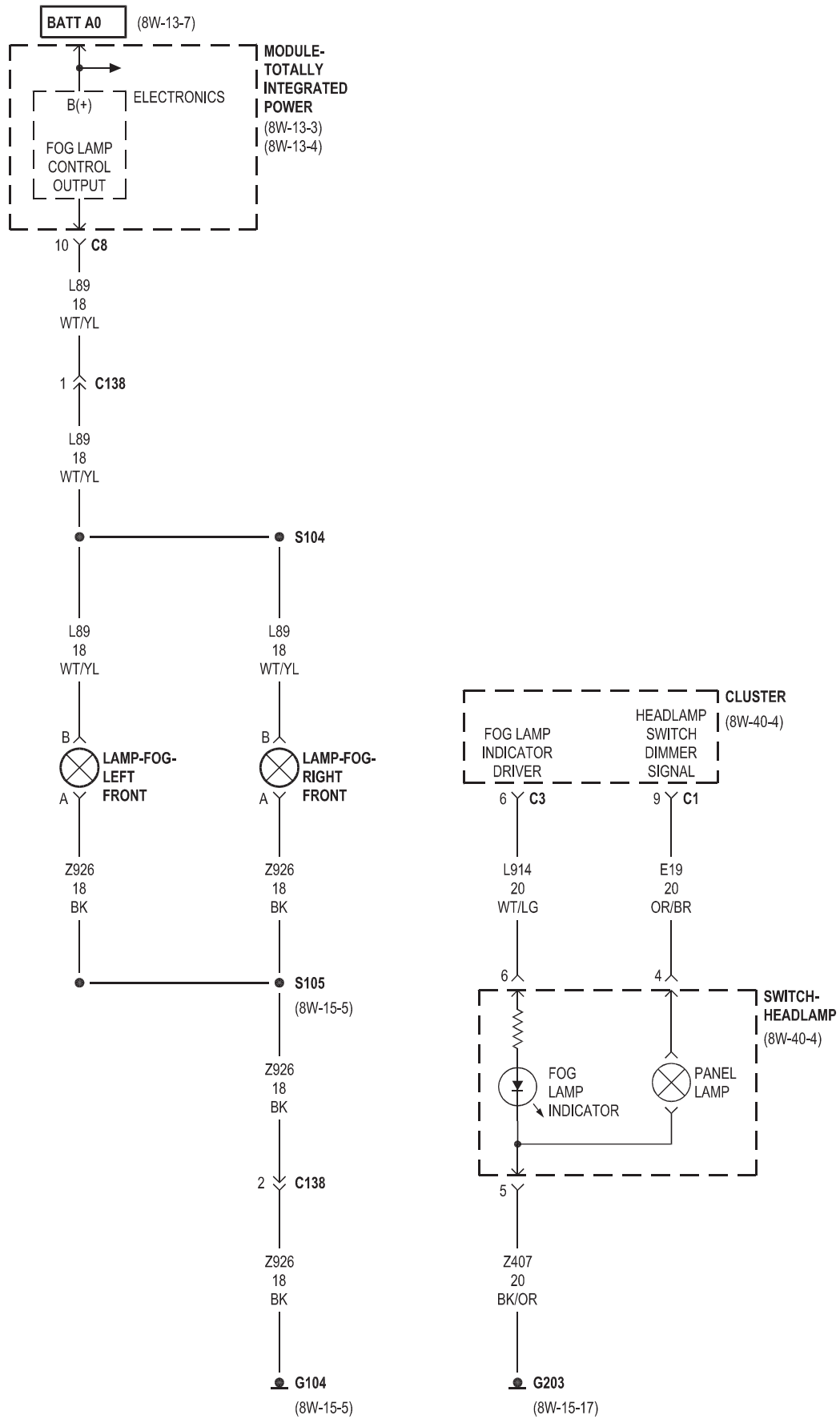
## 8W-50 FRONT LIGHTING

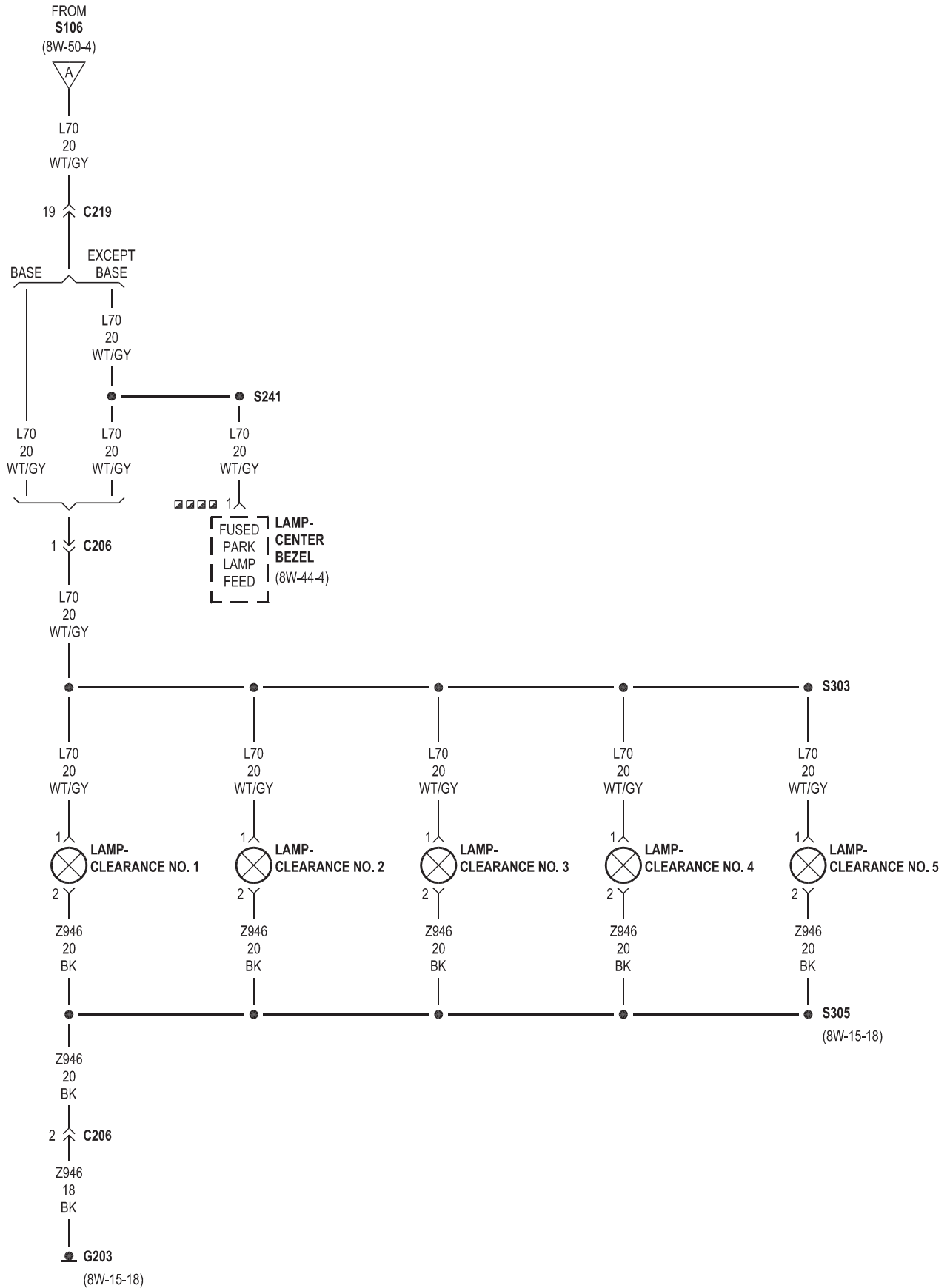
<b>Component</b>	<b>Page</b>	<b>Component</b>	<b>Page</b>
Electronics . . . . .	8W-50-2, 3, 4, 5	Lamp-Clearance No. 5 . . . . .	8W-50-6
Fuse 14 . . . . .	8W-50-4	Lamp-Fog-Left Front . . . . .	8W-50-5
Fuse 16 . . . . .	8W-50-4	Lamp-Fog-Right Front . . . . .	8W-50-5
Fuse 2 . . . . .	8W-50-2	Lamp-Headlamp-Left . . . . .	8W-50-3
G104 . . . . .	8W-50-3, 4, 5	Lamp-Headlamp-Right . . . . .	8W-50-3
G106 . . . . .	8W-50-3, 4	Lamp-Park/Turn-Left Front . . . . .	8W-50-4
G201 . . . . .	8W-50-2	Lamp-Park/Turn-Right Front . . . . .	8W-50-4
G203 . . . . .	8W-50-5, 6	Lamp-Side Marker-Left Front . . . . .	8W-50-4
Lamp-Center Bezel . . . . .	8W-50-6	Lamp-Side Marker-Right Front . . . . .	8W-50-4
Lamp-Clearance No. 1 . . . . .	8W-50-6	Lamp-Tail Stop/Turn-Right . . . . .	8W-50-4
Lamp-Clearance No. 2 . . . . .	8W-50-6	Module-Totally Integrated Power . .	8W-50-2, 3, 4, 5
Lamp-Clearance No. 3 . . . . .	8W-50-6	Switch-Headlamp . . . . .	8W-50-2, 5
Lamp-Clearance No. 4 . . . . .	8W-50-6	Switch-Multifunction . . . . .	8W-50-2











EXCEPT SRT